

## YHT125 EX-PROOF INTEGRATED CAMERA

### PRODUCT FEATURES

- Stainless steel material
- Stand installation
- Pan/tilt with camera housing
- All kinds of camera optional
- Multi-protocol for multi-control system
- 350°pan turning
- +90°~ -90°tilt turning
- With preset positioning
- IP67
- Indoor and outdoor installation for all weather
- Bracket or base mounting



### PRODUCT DESCRIPTION

YHW125 as a new monitoring equipment, with advanced design and produce technology, with matured quality management system has been on a leading stage in explosive and flammable atmosphere for monitoring

Integrated structure design, no cable connection between pan/tilt and camera housing, turning at pan/tilt, and all directions

Inside could be high quality lens or camera or integrated color camera

3.8°/sec tilt speed, 3.8°/sec pan speed, 350°pan turning, -90°~+90°tilt turning

With sunshield, wiper and auto-heater parts

To setup auto-heating function while it is under setting temperature

24VAC or 220C+VAC supply voltage

Easy installation and maintenance, mounting by fixed bracket, base, pole and lattice tower

### TYPE

- |          |                |
|----------|----------------|
| YHW125-1 | Standard Type  |
| YHW125-2 | For Fixed Lens |

### RELATED EQUIPMENTS

- |         |                     |
|---------|---------------------|
| KJ2028E | Ex-proof Controller |
|---------|---------------------|



CHANGZHOU YUHUA ELECTRIC EQUIPMENT MANUFACTURING CO.LTD  
ADDRESS: No 60 Hehuan Road, Zhonglou Development Zone, Changzhou Jiangsu, China  
TEL: 86-519-3978591 POSTAL: 213023  
FAX: 86-519-3978970 WEB: <http://www.cyh.com.cn>

2006.10 VER: 1.1



## YHT125 EX-PROOF INTEGRATED CAMERA

### CERTIFICATE

Ex-marking	Exd II CT6 / EExd II CT6
Certificate	CNEx04.204 / CNEx05.0223X Nemko 05ATEX1190
License	XK06-123-00251

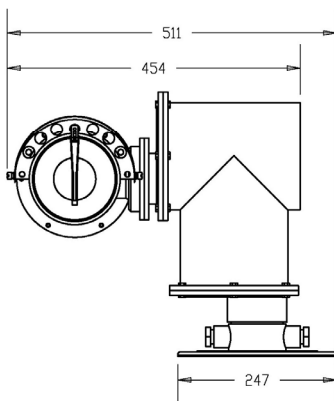
### MECHANICAL

Material	1Cr18Ni9Ti or 316L
IP	IP67
Pan	350° or 270°
Tilt	+45° ~ -45° or +90° ~ -90°
Pan speed	3.8°/S
Tilt speed	3.8°/S
Weight/ship weight	
YHW125-1	49Kg / 59Kg
YHW125-2	44Kg / 54Kg
Mount	Fixed bracket, base and pole

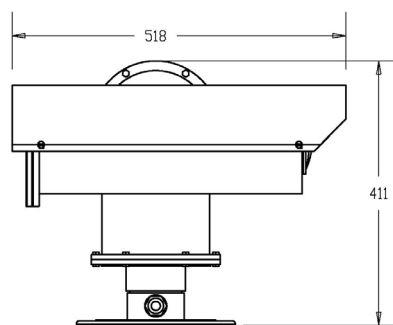
### ENVIRONMENTAL

Air pressure	86~106KPa
Temperature	-45℃~+60℃
Humidity	≤95%RH(+25℃)

### DIMENSION

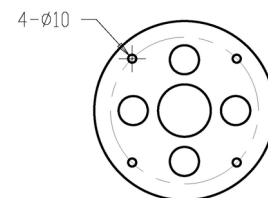


Face view



Side view

### MOUNTING SIZE



Camera bottom fixing hole  
On diameter 210mm round

### ELECTRICAL

Input voltage	220VAC/24VAC, 50/60Hz
Scope	±10%
Current	<1A
Power consumption	85W
Preset qty	According to decoder
Preset accuracy	1.5°
Preset voltage	5VDC
Preset object	Pan/tilt horizontal and pitching location Lens zoom location
Auto-heat	Work while it is -10℃
Connection	
Pan/tilt	11-core cable for connecting pan/tilt drive and preset sampling, auto-heating
Housing	
YHW125-1	Video cable, 14-core for camera power, Lens drive, preset sampling, auto-heating, assist function
YHW125-2	Video cable, 14-core for connecting camera power, auto-heating, assist function

Unit: mm.