

## YHW125-3 EX-PROOF INTEGRATED CAMERA

### FEATURES

- Double certifications
- Stainless steel material
- Stand installation
- Special wash system
- Housing, pan/tilt, decoder and washer integrated
- All kinds of camera optional
- Multiple protocol
- 350° pan turning
- +90°~ -90° tilt turning
- IP68
- Indoor and outdoor for all weather use
- Preset positioning and auto-tour monitoring
- Bracket or base installation



### DESCRIPTION

YHW125-3 as a new ex-proof monitoring equipment, with advanced technique and matured quality as its base, has been a successful product in market in the area of explosive and flammable for monitoring.

Integrated structure design, with no cable between pan/tilt and camera, turning at both pan/tilt and all direction.

Integrated with colour camera, all direction pan/tilt, and decoders inside, multiple communication protocol to response different orders.

100VAC ~ 240VAC Supply voltage.

35°/sec pan turning speed, 350° pan continuing turning;  
35°/sec tilt tuning speed, 90° tilt turning, 64 preset positioning.

With wiper and sunshield, wash and water tank, auto-heat optional.

With auto-heat to keep equipment working under -45°C to +60°C long-time stably.

Easy installation and maintenance, fixed brackets, base, pole or lattice tower for mounting.

### RELATED EQUIPMENTS

YH-Jxd Ex-proof Junction Box

KJ2028E/D Ex-proof Control Box



CHANGZHOU YUHUA ELECTRIC EQUIPMENT MANUFACTURING CO.LTD  
ADDRESS: No 60 Hehuan Road, Zhonglou Development Zone, Changzhou Jiangsu, China  
TEL: 86-519-3978591 POSTAL: 213023  
FAX: 86-519-3978970 WEB: <http://www.cyh.com.cn>

2006.11

VER: 1.2



## YHW125-3 EX-PROOF INTEGRATED CAMERA

### CERTIFICATE

Ex-marking	Exd II CT6 / DIP A21 TA, T6 EExd II CT6
Certificate	CNEx05.1077 Nemko 05ATEX1190
License	XK06-123-00251

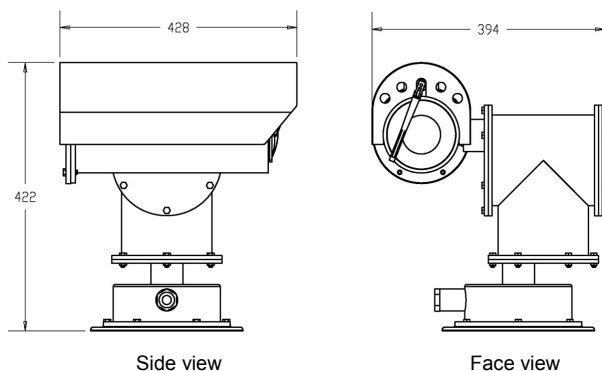
### MECHANICAL

Material	1Cr18Ni9Ti or 316L
IP	IP68
Pan	350°
Tilt	+90° ~ -90°
Pan speed	35°/S
Tilt speed	35°/S
Unit weight	33Kg
Ship weight	45Kg
Water tank	1.5L
Tank weight	6Kg
Water freeze	-55°C ~ -10°C (optional)
Mounting	Fixed bracket、base、pole

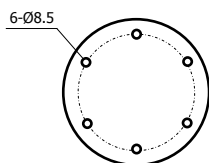
### ENVIRONMENTAL

Air pressure	86~106KPa
Temperature	-45°C~+60°C
Humidity	≤95%RH(+25°C)

### DIMENSIONS



### MOUNTING SIZE



Bottom mount hole  
On dia. 216mm round

Unit: mm.

### ELECTRICAL

Input voltage	100VAC ~ 240VAC, 50/60Hz
Current	<1A
Power	85W
Communication	RS-485
Communication rate	Multi-, to be set
Protocol	Multi-, to be set
Preset	64
Preset accuracy	≤0.5°
Auto-heat (optional)	Work while it is -10°C
Wash (optional)	Manual or half-auto
Connection	2-core for power 3-core non-shielded for control Coaxial cable for video output

### CAMERA SPECIFICATION

Mode	NTSC, PAL
Scanning system	Progressive scanning
Image sensor	1/4" SONY CCD
H/V scan frequency	15.625KHz / 50Hz
Effective pixels	Resolution: 795(H) x 596(V)
Built-in Lens	High performance 23X optic zoom Lens Auto focus / F1.6, f=3.6~82.8mm
Min focus	0.01m (Wide) / 1.0m (Tele)
View angle	54° (Wide) / 2.5° (Tele)
Maximum sensitivity	0.1Lux (Color) / 0.02Lux (Black)
Horizontal resolution	480TV lines (Color) / 600TV lines (B/W)
SNR	> 50dB
Video output	Composite, 1.0Vp-p, 75Ω, BNC
Sync system	Internal Sync / External Sync
Digital zoom	10x Zoom
Focus	Auto / Manual
White balance	Auto / Manual
Electric shutter	Auto: 1/50~1/4000s Manual: 1/1.5~1/30000s
Frame gather	Manual: 2*, 4*, 6*, 10*, 16*, 32*
Iris control	Auto / Manual
Special	Auto color/monochrome / Wide dynamic range Digital image reverse / Image freeze