

YHIP502 EX-PROOF LOUDHAILER MANUAL BOOK



Changzhou Yuhua Electric Equipment Manufacturing Co., Ltd
Address: No.60 Hehuan Road, Zhonglou Development Zone, Changzhou 213023, China
Tel: 86-519-3978591 Email: Rockyyao@vip.sina.com
Fax: 86-519-3978970 Homepage: <http://www.cyh.com.cn>



August, 2006

Revision: 0.3

CONTENT

1. GENERAL.....	3
1.1MAIN APPLICATION.....	3
1.2 CODE FORM.....	3
1.3 WORKING ATMOSPHERE.....	3
2. TECHNICAL DATA.....	3
3. INSTALLING WIRING AND ADJUSTMENT.....	4
3.1 CABLE INSTALLATION.....	4
3.2 LOUDHAILER INSTALLATION.....	4
3.3 INSTALLING SIZE.....	5
4. EX-PROOF STRUCTURE INSTRUCTION.....	5
5. EQUIPMENT INSTALLATION NOTES:.....	6
6. SHIPPING AND STORAGE.....	6
7. INSTALLATION PARTS AND ACCESSORY.....	7
8. QUALITY GUARANTEE AND SERVICE.....	7



Changzhou Yuhua Electric Equipment Manufacturing Co., Ltd
Address: No.60 Hehuan Road, Zhonglou Development Zone, Changzhou 213023, China
Tel: 86-519-3978591 Email: Rockyyao@vip.sina.com
Fax: 86-519-3978970 Homepage: <http://www.cyh.com.cn>

August, 2006

Revision: 0.3



1. General

This ex-proof loudhailer could be match-used together with all kinds of power amplifier to be as voice amplification or alarm.

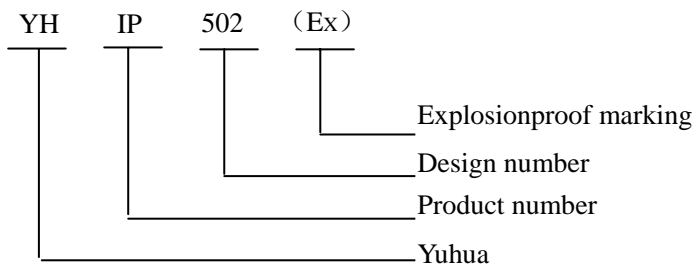
1.1 Main application

This product is strictly designed and produced under the standards of GB3836.1—2000 Electrical apparatus for explosive atmosphere: General requirements, GB3836.2---2000 Electrical apparatus for explosive atmosphere: Flameproof'd'. The flameproof tunnel adopts stainless steel structure which has IP54.

YHIP502 (EX) shall be used together with YHIP500 series Intrinsic safety ex-proof industrial telephone station in heavy factory or plant field.

It could be used in the fields where there is explosive atmosphere such as oil, petrochemical, mining etc.

1.2 Code form



1.3 Working atmosphere

Air pressure 86~106KPa

Temperature: -25°C~+55°C(80F—140oF)

Relative humidity: 95% RH(+25°C)

Dangerous area of zone I and zone II of Class II , Grade C, from T1~T6.

2. Technical data

Ex-marking: EXd II CT6;

Rated power: 15VA/25VA;

Resistance: 8 Ω /16 Ω ;

Rated voltage: 12V/24V

IP: IP54;

Efficient frequency: (300~4000) Hz;

Sound pressure output: 105dB ± 1dB (25W/1m)



Changzhou Yuhua Electric Equipment Manufacturing Co., Ltd
Address: No.60 Hehuan Road, Zhonglou Development Zone, Changzhou 213023, China
Tel: 86-519-3978591 Email: Rockyao@vip.sina.com
Fax: 86-519-3978970 Homepage: <http://www.cyh.com.cn>

August, 2006

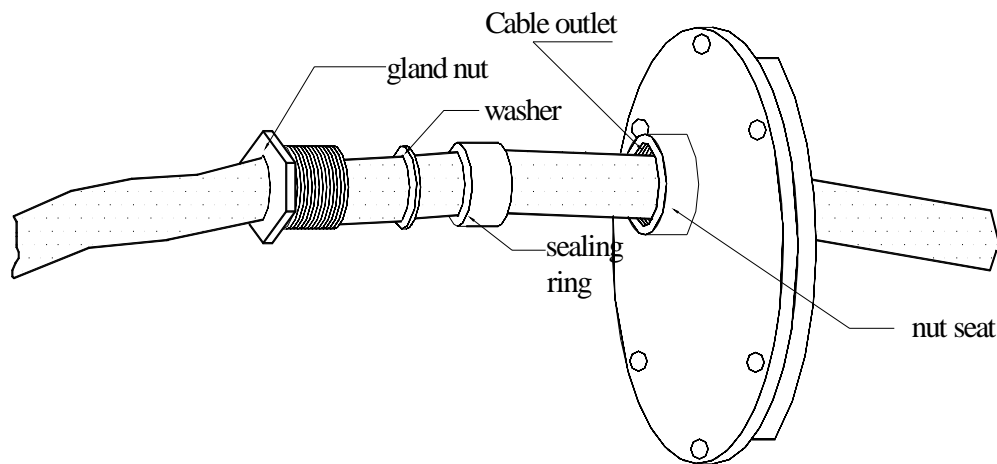
Revision: 0.3



3. Installing wiring and adjustment

3.1 Cable installation

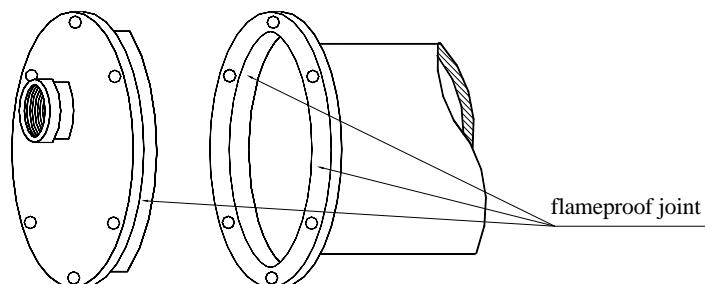
While cable entry, each part shall put in order as drawings. Tight the tighten nut, make the rubber loop tight the wire (the wire diameter shall be naturally matched with the loop diameter, error under 1mm). Then tight the Tighten Nut and the power cable shall be in by ex-proof flexible pipe. The other cable out mouths shall tight by Tighten Nut. No cable out mouth shall be jammed by Jam Core.



The loudhailer cable shall be got out by one 2-core cable and connected by bracket at site.

3.2 Loudhailer installation

This product has strict ex-proof level and very good joint. So while installing, please pay more attention to its joint surface protection as showed below. Do not make any damage and breaking.



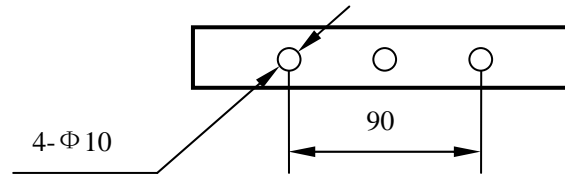
Changzhou Yuhua Electric Equipment Manufacturing Co., Ltd
Address: No.60 Hehuan Road, Zhonglou Development Zone, Changzhou 213023, China
Tel: 86-519-3978591 Email: Rockyao@vip.sina.com
Fax: 86-519-3978970 Homepage: <http://www.cyh.com.cn>

August, 2006

Revision: 0.3



3.3 Installing size



4. Ex-proof structure instruction

- In the purpose of preventing the flame to transmit to outside of the enclosure to ignite the surrounding atmosphere when there is explosion inside the enclosure caused by some reason, it is fully considered for the strength of the enclosure, the gap, length of the joint(s) between the parts of the enclosure. as well as the provisions of limiting the max. Temperature on the enclosure
- Its welding joint housing shall be shall pass the water pressure test according to GB3836.2 for 1.5Mpa in time of 10 to 12 seconds without leakage.
- The surface temperature shall not surpass +80°C while its normal working.
- The cable entry is adopted with gland nut
- Joint surface size as below:

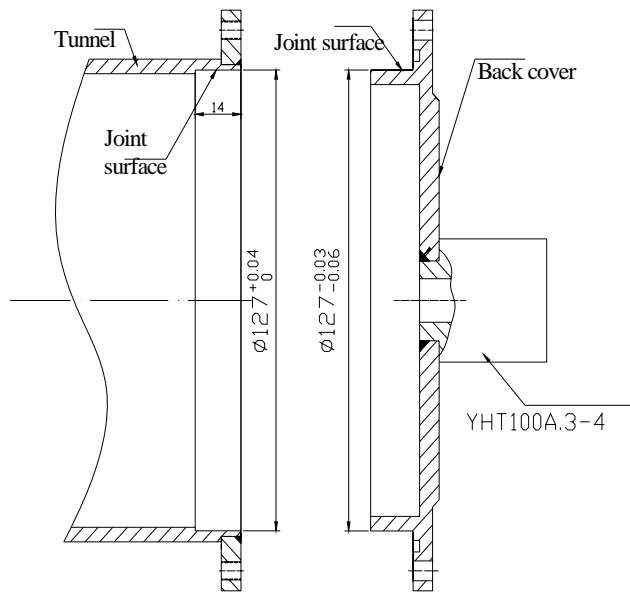


Changzhou Yuhua Electric Equipment Manufacturing Co., Ltd
Address: No.60 Hehuan Road, Zhonglou Development Zone, Changzhou 213023, China
Tel: 86-519-3978591 Email: Rockyao@vip.sina.com
Fax: 86-519-3978970 Homepage: <http://www.cyh.com.cn>

August, 2006

Revision: 0.3





- Selected cable min diameter $\geq \phi 5.5$.

5. Equipment installation notes:

- 1). Before installation, please check if the following is ok:
 - a、 If there is ex-proof license
 - b、 If the ex-proof marking comply with the atmosphere
- 2). Correctly use the cable. The cable entry diameter shall match with sealing loop diameter。 To choose min cable diameter according to sealing loop mark so as to ensure the gap between sealing loop and cable and satisfy the ex-proof requirements.
- 3). Strictly obey the warning and markings on the label, such as “Do not open when energized
- 4). Do not open the cover, while it is under very humid atmosphere. Other wise it may cause damage to equipments because of the good sealing feature of housing, the humid air can not easily get out the housing.
- 5). YHIP502 is lower resistance loudhailer, so it shall be not far from the voice amplifier.

6. Shipping and storage

Under the conditions of without rain, the packaged products can be shipped by multi ways. After packaging, the products could be reserved in the environment of temperature $0^{\circ}\text{C} \sim +40^{\circ}\text{C}$ and relative humidity less than 90% for one year.



Changzhou Yuhua Electric Equipment Manufacturing Co., Ltd
 Address: No.60 Hehuan Road, Zhonglou Development Zone, Changzhou 213023, China
 Tel: 86-519-3978591 Email: Rockyao@vip.sina.com
 Fax: 86-519-3978970 Homepage: http://www.cyh.com.cn

August, 2006

Revision: 0.3



7. Installation parts and accessory

It is equipped with one 6 mm diameter rubber sealing loop while it leaves the factor and a 6mm rubber sealing loop as accessory

8. Quality Guarantee and service

The product has passed all the inspection and test by Quality Dept. of YUHUA with a certificate.

The guarantee period is one year. Any problems user finds during the period shall be submitted to YUHUA for disposition and reactions must be given in 24 hours until satisfy the user.

For the equipments malfunctions aroused not by operation, YUHUA offers free service. If there is an agreement or some regulation between YUHUA and user, then it must be executed strictly. YUHUA also supplies Equipment Maintenance Agreement for both sides signature so that in the agreement period, we offer equipment maintenance and repair and so on that mentioned in the agreement.



Changzhou Yuhua Electric Equipment Manufacturing Co., Ltd
Address: No.60 Hehuan Road, Zhonglou Development Zone, Changzhou 213023, China
Tel: 86-519-3978591 Email: Rockyyao@vip.sina.com
Fax: 86-519-3978970 Homepage: <http://www.cyh.com.cn>

August, 2006

Revision: 0.3

